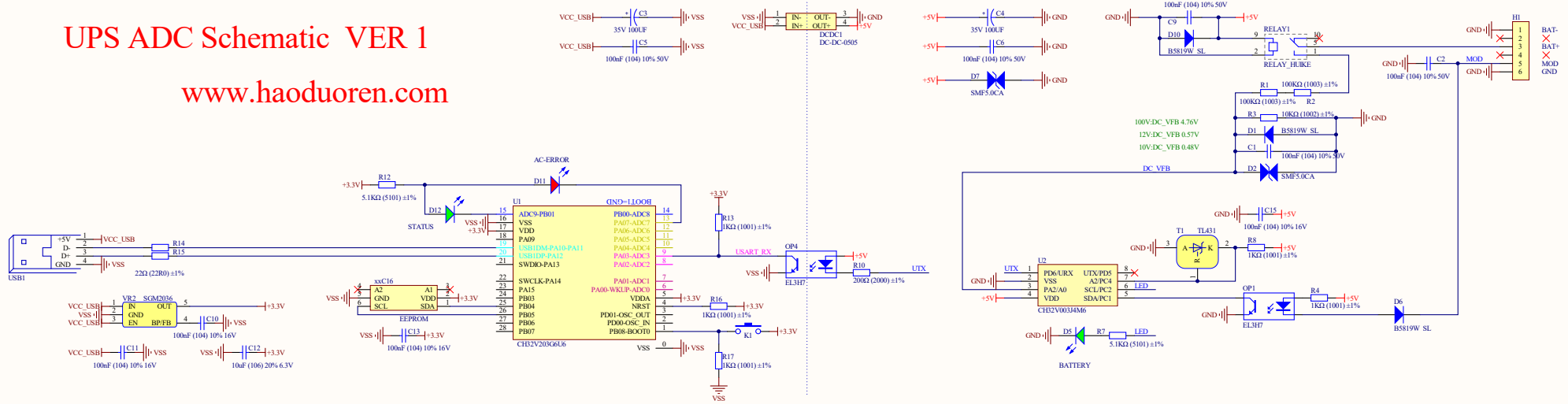


UPS ADC Schematic VER 1

www.haoduoren.com



Title		
Size	Number	Revision
A2		
Date:	2025/6/12	Sheet of
File:	C:\Users\UPS-ADC	SchDoc
		Drawn By: